

SPECIFICATIONS

POWER..... VOLTS - 3 PHASE - 60 HERTZ
 208/240/480 VOLTS AVAILABLE
 PUMP..... 10 H.P. - 3,450 R.P.M. @ 55 P.S.I.G.
 WASH TANK CAPACITY.... 60 GALLONS APPROXIMATE
 STEAM LINE PRESSURE... 10 P.S.I. MINIMUM
 40 P.S.I. MINIMUM
 STEAM CONSUMPTION..... 53 LBS. PER HOUR BASED
 ON 10 P.S.I. LINE PRESSURE
 FRESH WATER RINSE..... RATE OF FLOW REQUIRED
 MINIMUM 9.0 G.P.M. @ 20 P.S.I.G.
 LINE PRESSURE @ 120° F. (MINIMUM)
 WATER PROVIDED BY CUSTOMER
 FRESH WATER RINSE
 CONSUMPTION..... MINIMUM 4.5 GALLONS PER
 30 SECOND RINSE CYCLE
 SHIPPING WEIGHT..... 1,500 LBS. APPROXIMATE
 INSTALLED WEIGHT..... 2,000 LBS. APPROXIMATE

ELECTRICAL REQUIREMENTS

BASE MACHINE				
VOLT	KW	PHASE	FULL LOAD AMPS	FUSABLE TO
208	10.4	3	28.9	40 AMPS
240	10.8	3	26.1	35 AMPS
480	10.8	3	13.0	20 AMPS

CUSTOMER UTILITY CONNECTIONS

SYM	DESCRIPTION
A	3/4" 120°F (BY CUSTOMER) WATER INLET - FEMALE PIPE CONNECTION
B	2" DRAIN LINE - FEMALE PIPE CONNECTION
C	CUSTOMER'S ELECTRICAL CONNECTION
D	3/4" STEAM INLET - FEMALE PIPE CONNECTION
E	3/4" STEAM CONDENSATE - FEMALE PIPE CONNECTION

NOTES:

- 1) MACHINE AUTOMATICALLY FILLS THRU FRESH WATER RINSE LINE ON TOP OF MACHINE - CONNECTION "A".
- 2) MANUFACTURER RESERVES THE RIGHT OF MODIFICATIONS WITHOUT PRIOR NOTICE.
- 3) TO MAINTAIN PROPER HEATING REQUIREMENTS WHEN USING A FAN PROVIDED BY OTHERS, THE FAN CIRCUIT NEEDS TO BE DESIGNED TO NOT OPERATE DURING THE NORMAL MACHINE CYCLE. THE FAN SHOULD ONLY ACTIVATE WHEN THE DOOR IS OPENED.

NOTE: For extended life of the steam booster, a maximum of 15-PSI steam inlet pressure is required. We highly recommend that a steam pressure-reducing valve be placed in front of the booster's steam inlet connection. The reducing valve is to be provided and installed by others.

STEAM COIL HEATED TANK



NOTE: MANUFACTURER RESERVES THE RIGHT OF MODIFICATIONS WITHOUT PRIOR NOTICE.

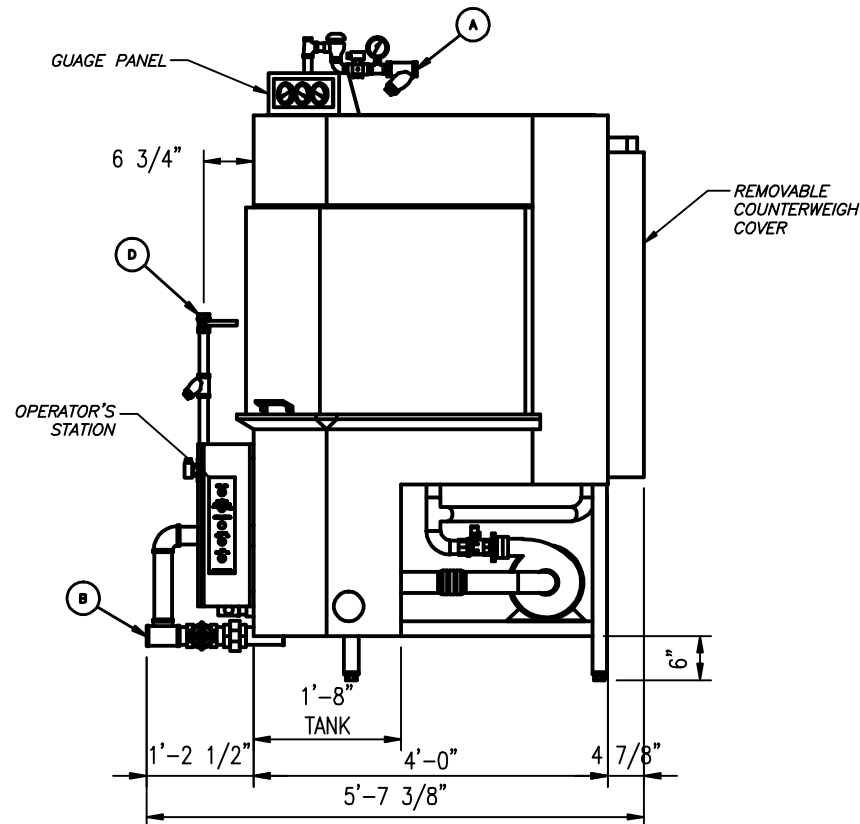
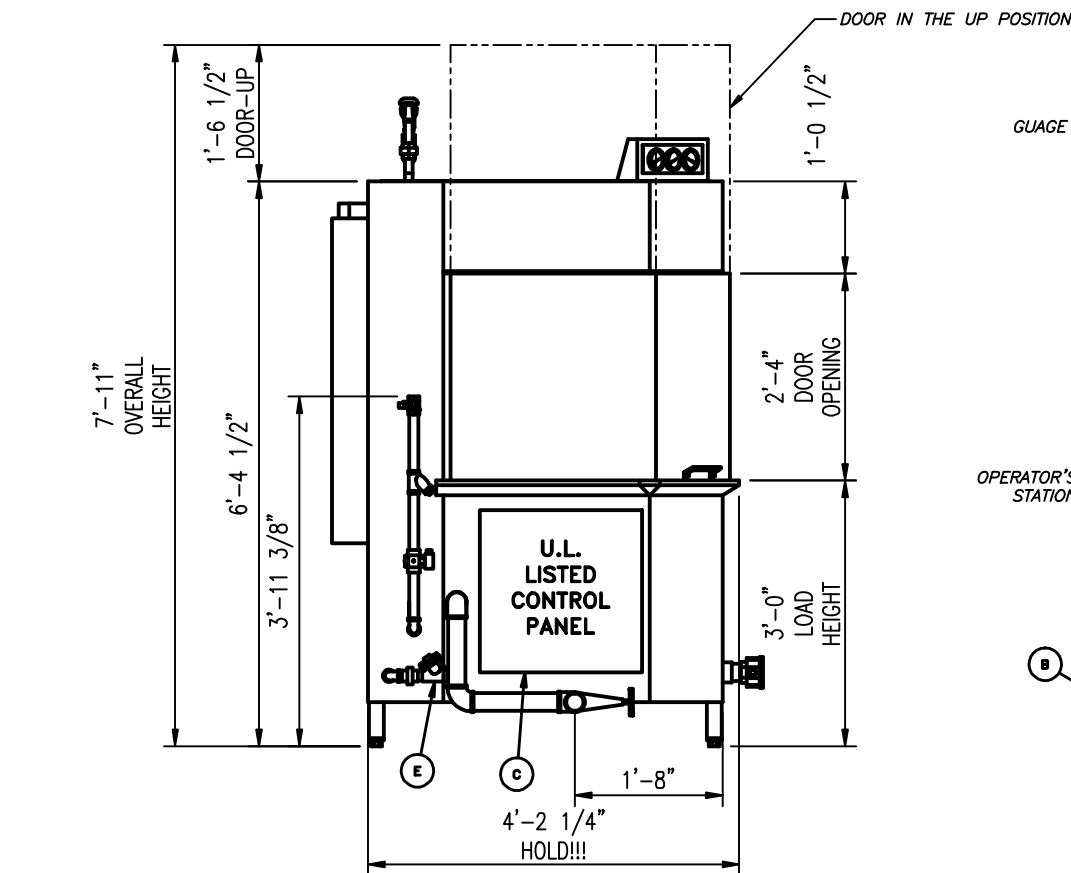
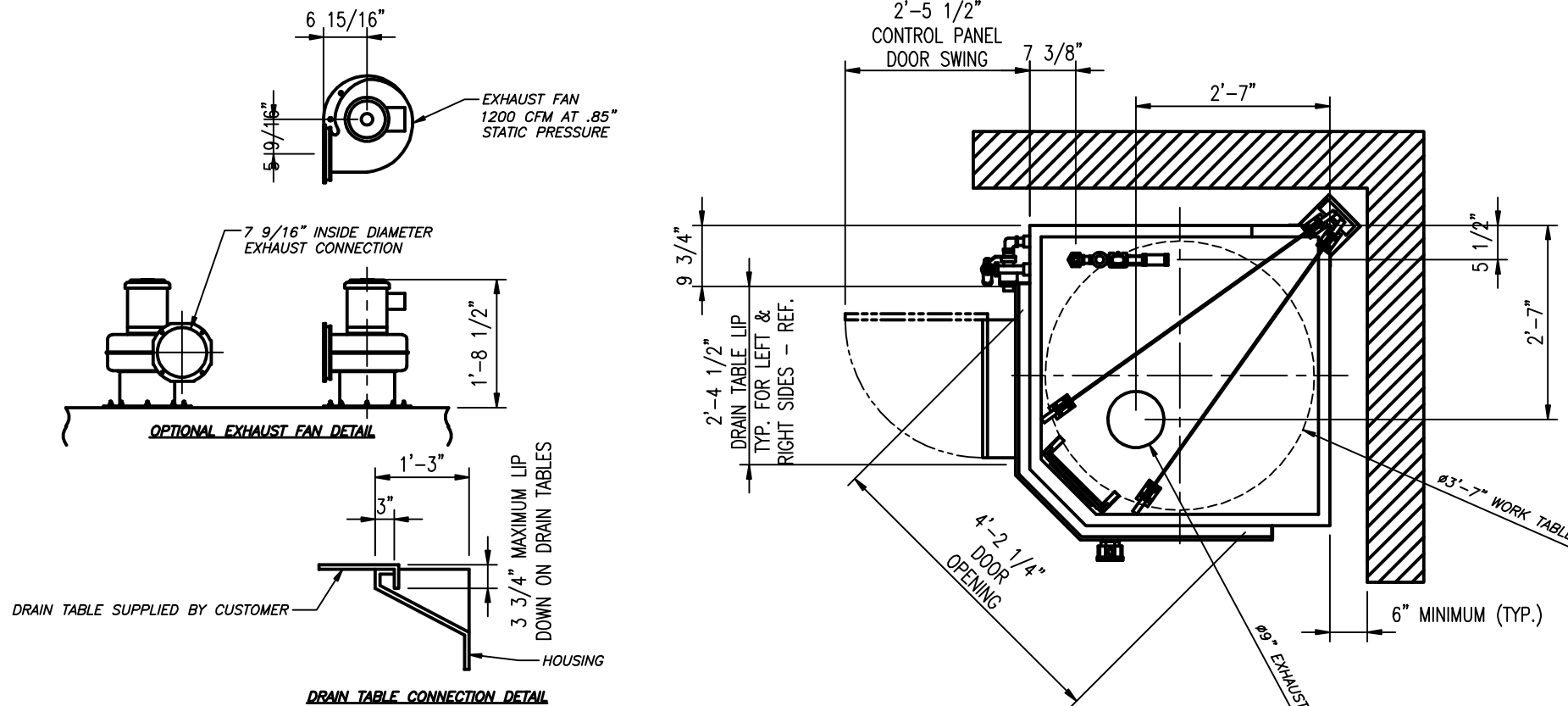
CONCEPT DRAWING
 FOR SALES AND ESTIMATING
 PURPOSES ONLY

SERIAL#	WORK ORDER:
CONFIDENTIAL PROPRIETARY NOTICE THIS DRAWING, THESE SPECIFICATIONS, AND THE IDEAS CONTAINED HEREIN ARE THE EXCLUSIVE PROPERTY OF ARMOR METAL GROUP ("AMG") AND SHALL BE RETURNED UPON DEMAND. NO PERSON SHALL COPY, USE OR DISCLOSE THIS DRAWING, THESE SPECIFICATIONS, OR THE IDEAS CONTAINED HEREIN WITHOUT THE EXPRESS CONSENT OF AMG. THE ARMOR GROUP www.armormetal.com	
ALVEY WASHING EQUIPMENT AN ARMOR GROUP COMPANY MASON, OHIO	
TITLE Dimension sheet for Model CL-1 FOR Steam Coil Heated Tank	
DATE 9/14/2009	DWN. BY GF
SCALE None	DWG. NO.
3RD ANGLE	CHK. BY
	CL1-SCH

PLDT STAMP: 6/15/2010 7:47 AM

8 7 6 5 4 3 2 1

D



8 7 6 5 4 3 2 1

Mason Sales/Estimating/Quotes/Products/Specs/Drawings/2009/Weir catalog drawings 2009/Weir catalog drawings 2009/CL-1 Steam Coil Heat 2009/06