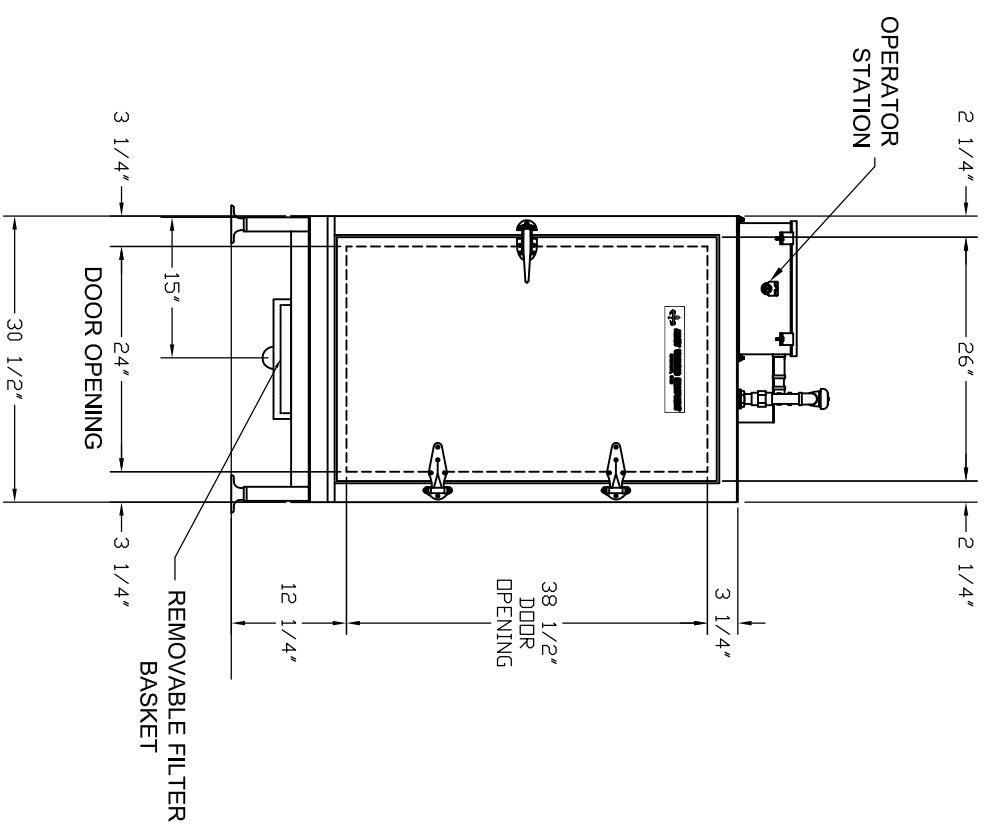
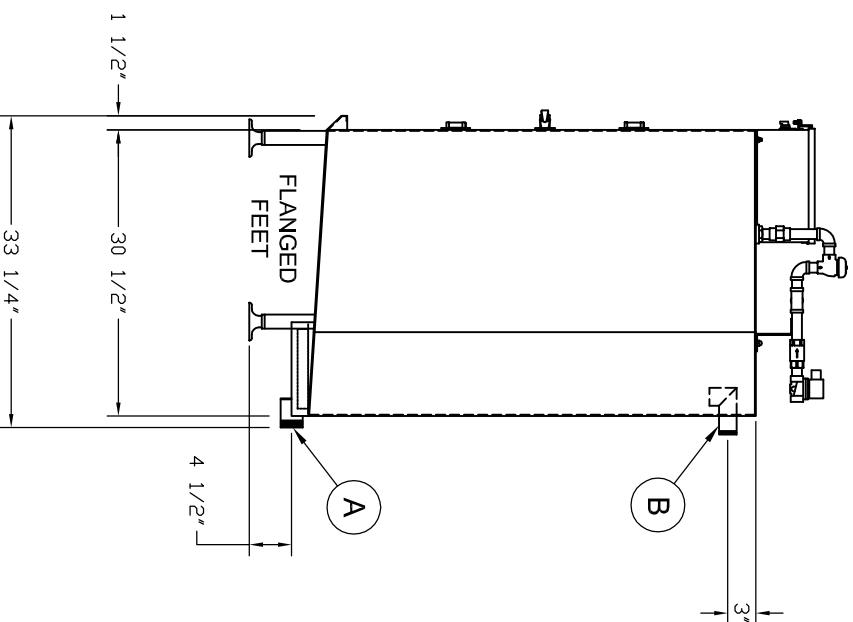


PLAN VIEW



FRONT ELEVATION



RIGHT SIDE ELEVATION

- A. 2" Diameter Drain Connection— Male NPT
- B. 1-1/2" Diameter Exhaust Connection— Male NPT
- C. 3/4" Diameter Cold Water Connection— Female NPT
- D. 3/4" Diameter Steam/Hot Water Connection— Female NPT
- E. 3/4" Diameter Hot Water Connection— Female NPT
- F. Customer's Electrical Connection.

Can Size: 22" Dia. X 36" High
 Construction: # 14 Gage Polished Stainless Steel
 Fixed Cycles Are: Cold Water Wash — 45 Seconds
 Steam/Hot Water Spray — 30 Seconds
 Hot Water Rinse — 15 Seconds

Required Water Flow Rates:
 Cold Water Wash — 21 G.P.M. @ 40 P.S.I.G. & Ambient
 Hot Water Rinse — 21 G.P.M. @ 40 P.S.I.G. & 140° F
 Required Steam Flow Rate (if Steam is used):
 Steam Spray — 125 lbs./hr. @ 10 P.S.I.G. (Saturated Steam)

Consumptions Per Cycle:
 Cold Water Wash — 15.75 Gallons
 Steam Spray — 1.04 lbs.
 Hot Water Rinse — 5.25 Gallons
 Power: 120 Volts — 1 Phase — 60 Hertz — Full Load Amps = 1

NOTES: Internal wash/steam/rinse piping will be of copper construction complete with all brass fixed nozzles and a stainless steel rotating nozzle.
 External piping will be stainless steel construction
 Washer to be complete with door limit switch, vacuum breaker, solenoid valves, and check valves.

#	DATE	REVISION AND RELEASE DESCRIPTION	NAME

SERIAL# ...

WORK ORDER: ...

UNLESS NOTED OTHERWISE TOLERANCES ARE:
 FRACTIONS ±1/8 INCH
 X.XX ±0.1 INCH
 X.XXX ±0.02 INCH
 X.XXXX ±0.001 INCH

CONFIDENTIAL
 PROPRIETARY NOTICE
 THE DESIGN, TEST, CONSTRUCTION, AND OTHER INFORMATION CONTAINED HEREIN IS THE EXCLUSIVE PROPERTY OF ARMOR METAL GROUP. NO PART OF THIS DOCUMENT IS TO BE REPRODUCED OR TRANSMITTED IN ANY FORM OR BY ANY MEANS, ELECTRONIC OR MECHANICAL, INCLUDING PHOTOCOPYING, RECORDING, OR BY ANY INFORMATION STORAGE AND RETRIEVAL SYSTEM, WITHOUT THE WRITTEN PERMISSION OF ARMOR METAL GROUP.
 ARMOR METAL GROUP
 WWW.ATMORMETAL.COM

ALVEY WASHING EQUIPMENT
 AN ARMOR METAL GROUP COMPANY CINCINNATI, OHIO

TITLE MODEL GI-1 CAN WASHER ASSEMBLY

FOR ... DATE 01-13-2011 DWN. BY JZ
 SCALE 1" = 1'-0" DWG. NO. GI-1-100
 3RD ANGLE CHK. BY ...