



MODEL GI-1

Can Washer

The Alvey Can Washer quickly and efficiently washes and sanitizes trash receptacles in a fully contained stainless steel cabinet. No longer is it necessary to devote a separate room for washing cans. The cabinet design allows the operator to simply place the can into the washing chamber, close the door and push the "start" selector switch. The GI-1 does the rest.

This machine used to clean:

Trash receptacles

Common places this machine is used:

Bakeries, Hospitals, Schools, Institutions,
Correctional facilities

WASH CHAMBER CYCLE

- Up to 3 programable cycles
- Cycles based on available utilities

WASH CHAMBER

- Nozzles are designed to wash and rinse both inside and outside of containers
- Accepts cans up to 36" high by 22" in diameter

HOUSING

- 14 ga. 304 stainless steel construction
- Adjustable sanitary feet
- Heavy duty stainless steel door
- Removable filter basket

FEATURES

- Fully automatic cycle
- Completely self contained
- Safety door limit switch
- Heavy duty stainless steel construction
- Compact space-saver design
- High volume processing
- Steam Compatible

Shipping Wt. 350 Lbs.

Specifications for GI-1 Can Washer

LEGEND

- A. 2" Diameter drain connection
- B. 1 1/2" Diameter exhaust connection
- C. 3/4" Diameter cold water connection
- D. 3/4" Diameter steam connection
- E. 3/4" Diameter hot water connection
- F. Customer's electrical connection

SPECIFICATIONS

Can Size: 22" Dia. X 36" High

Construction: 14 ga. Stainless Steel

Fixed Cycles are: Cold Wash – 45 seconds
Steam Spray – 30 seconds
Hot Rinse – 15 seconds

Required Water Flow Rates:

Cold Wash - 21 G.P.M. @ 40 P.S.I.G. & Ambient
Hot Rinse - 21 G.P.M. @ 40 P.S.I.G. & 140°

Required steam Flow Rate:

Steam Spray – 125 lbs./hr. @ 10 P.S.I.G. (Saturated Steam)

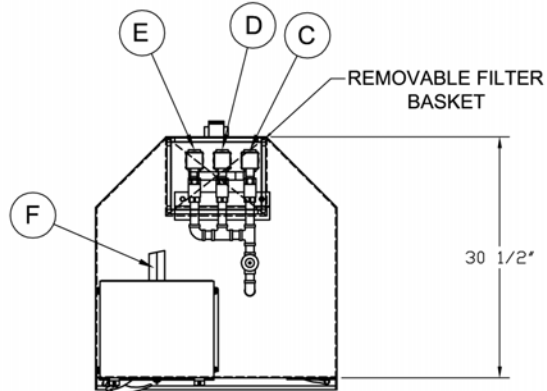
Consumptions Per Cycle:

Cold Wash: 15.75 Gallons

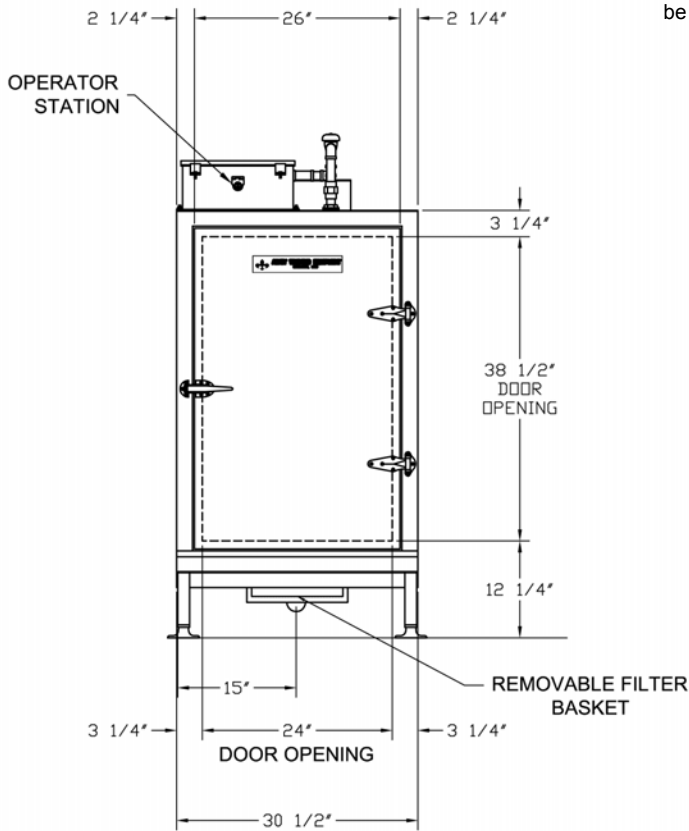
Hot Rinse: 5.25 Gallons

Steam Spray – 1.04 Gallons

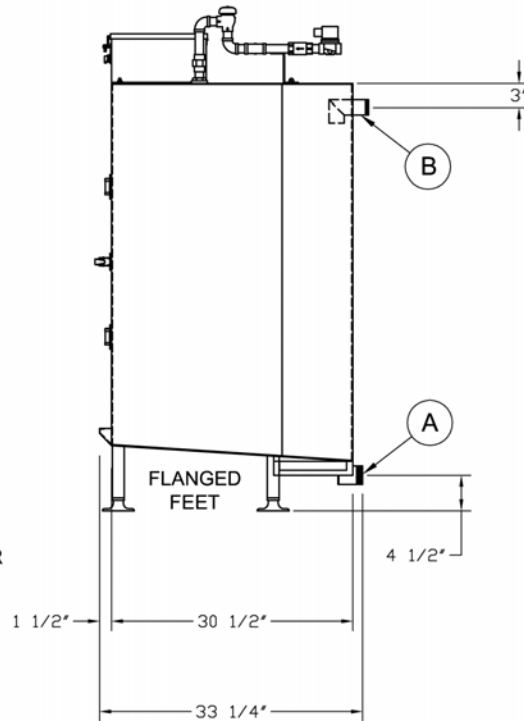
Power: 120 Volts – 1 PH. 60 HZ, FLA=1



PLAN VIEW



FRONT ELEVATION



RIGHT SIDE ELEVATION

Notes: Internal and external wash/rinse/steam piping will be of copper construction complete with all brass fixed nozzles and a stainless steel spinning nozzle. Washer to be complete with door limit switch, vacuum breaker, solenoid valves and check valves.