

SPECIFICATIONS

POWER.....VOLTS-3 PHASE-60 HERTZ
 208/240/480 VOLTS AVAILABLE
 PUMP.....10 H.P. 3450 R.P.M. @ 35 P.S.I.G.
 WASH TANK CAPACITY.....275 GALLONS APPROXIMATE
 WASH TANK
 STEAM LINE PRESSURE.....10 P.S.I. MINIMUM
 40 P.S.I. MAXIMUM
 WASH TANK
 STEAM CONSUMPTION.....241 LBS. PER HOUR BASED
 ON 10 P.S.I. LINE PRESSURE
 FRESH WATER RINSE.....RATE OF FLOW REQUIRED
 MINIMUM 10.5 G.P.M. @ 20 P.S.I.G.
 LINE PRESSURE @ 120° F.
 FRESH WATER RINSE
 CONSUMPTION.....MINIMUM 5.25 GALLONS PER
 30 SECOND RINSE CYCLE
 RINSE WATER BOOSTER
 STEAM LINE PRESSURE.....10 P.S.I. MINIMUM
 15 P.S.I. MAXIMUM
 RINSE WATER BOOSTER
 STEAM CONSUMPTION.....331 LBS. PER HOUR BASED
 ON 10 P.S.I. LINE PRESSURE
 SHIPPING WEIGHT(Including Crating).....3000 LBS.
 INSTALLED WEIGHT(Less Solution).....2500 LBS.
 OPERATING WEIGHT(With Solution).....4800 LBS.

ELECTRICAL REQUIREMENTS

NOTE:
 THE FOLLOWING FIGURES DO NOT INCLUDE A SAFETY
 FACTOR FOR DETERMINING DISCONNECT SIZE.
 BASE MACHINE

VOLT	KW	PHASE	FULL LOAD AMPS
208	10.4	3	28.9
240	10.8	3	26.1
480	10.8	3	13.0

CUSTOMER'S UTILITY CONNECTIONS

SYM	DESCRIPTION
A	1 1/4" HOT WATER RINSE - FEMALE PIPE CONNECTION
B	2" DRAIN LINE - FEMALE PIPE CONNECTION
C	1-1/4" STEAM INLET - FEMALE PIPE CONNECTION
D	3/4" STEAM CONDENSATE - FEMALE PIPE CONNECTION
E	CUSTOMER'S ELECTRICAL CONNECTION
F	1" MANUAL WATER FILL - FEMALE PIPE CONNECTION
G	1 1/2" BOOSTER STEAM INLET - FEMALE PIPE CONNECTION
H	3/4" BOOSTER STEAM CONDENSATE - FEMALE PIPE CONNECTION

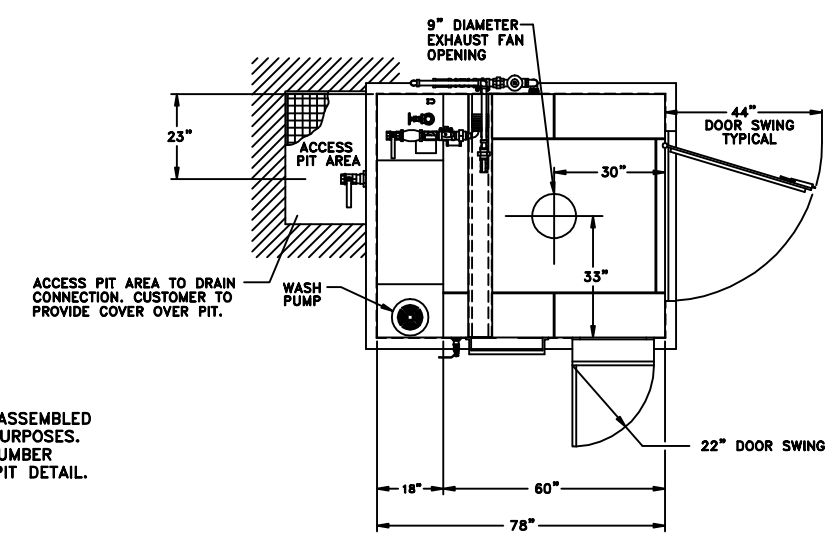
CAUTION: TO MAINTAIN PROPER HEATING REQUIREMENTS WHEN USING A FAN PROVIDED BY OTHERS, THE FAN CIRCUIT NEEDS TO BE DESIGNED TO NOT OPERATE DURING HE NORMAL MACHINE CYCLE. THE FAN SHOULD ONLY ACTIVATE WHEN THE DOOR(S) ARE OPENED.

NOTE: For extended life of the steam booster, a maximum of 15-PSI steam inlet pressure is required. We highly recommend that a steam pressure-reducing valve be placed in front of the booster's steam inlet connection. The reducing valve is to be provided and installed by others.

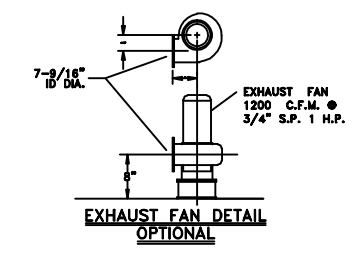
STEAM COIL HEATED TANK
 WITH STEAM RINSE WATER BOOSTER ON ROOF



NOTE: MANUFACTURER RESERVES THE RIGHT OF MODIFICATIONS WITHOUT PRIOR NOTICE.

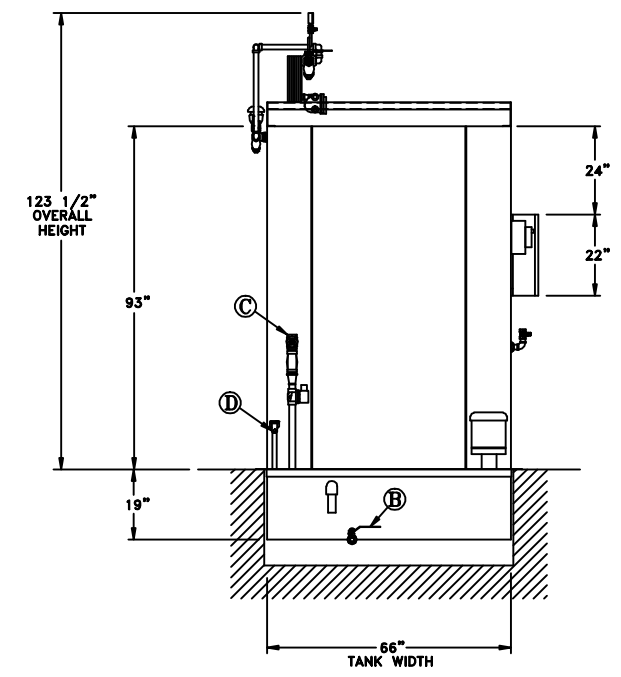


PLAN VIEW

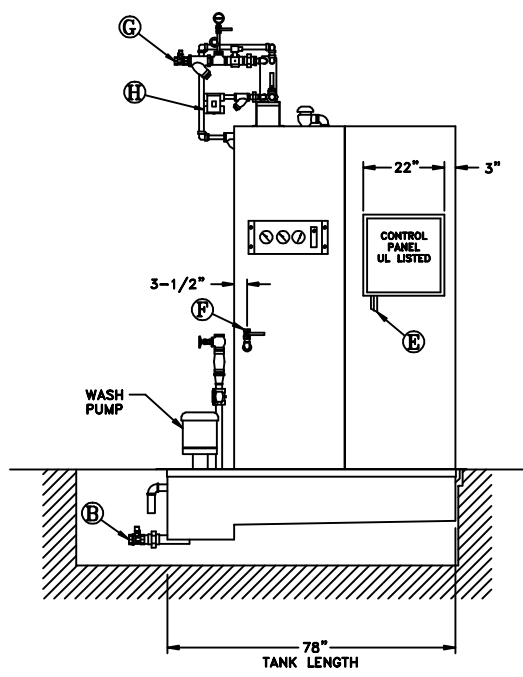


EXHAUST FAN DETAIL
 OPTIONAL

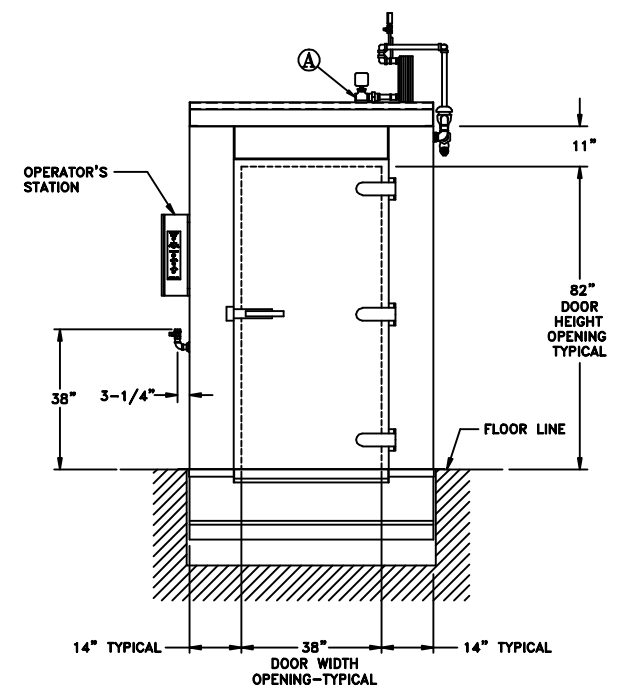
NOTES: 1 - UNIT TO BE DISASSEMBLED FOR SHIPPING PURPOSES.
 2 - SEE DRAWING NUMBER 97W-190 FOR PIT DETAIL.



UNLOAD END VIEW



SIDE ELEVATION



LOAD END VIEW

CONCEPT DRAWING FOR SALES AND ESTIMATING PURPOSES ONLY

SERIAL#	WORK ORDER:
CONFIDENTIAL PROPRIETARY NOTICE THIS DRAWING, THESE SPECIFICATIONS, AND THE IDEAS CONTAINED HEREIN ARE THE EXCLUSIVE PROPERTY OF ARMOR METAL GROUP ("AMG") AND SHALL BE RETURNED UPON DEMAND. NO PERSON SHALL COPY, USE OR DISCLOSE THIS DRAWING, THESE SPECIFICATIONS, OR THE IDEAS CONTAINED HEREIN WITHOUT THE EXPRESS CONSENT OF AMG. THE ARMOR GROUP www.armormetal.com	
ALVEY WASHING EQUIPMENT AN ARMOR GROUP COMPANY MASON, OHIO TITLE Dimension sheet for Model KS-70 FOR Steam Coil Heated Tank with Booster DATE 9/9/2009 DWN. BY GF SCALE None DWG. NO. 3RD ANGLE CHK. BY KS70-SCHB	

Mason Sales Estimating Quotes Product Status (Mey) Mey catalog drawings 2009 (KS-70 Steam Coil Heat 2005.dwg)