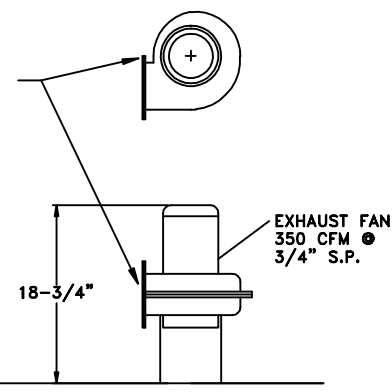
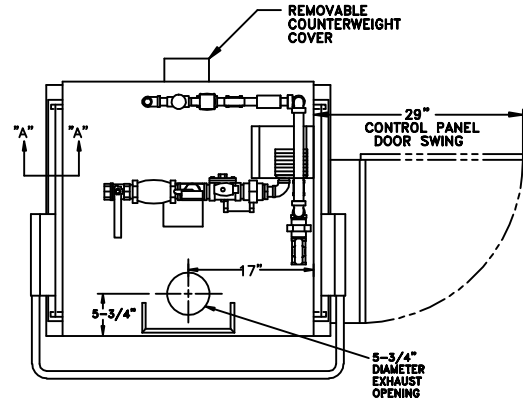


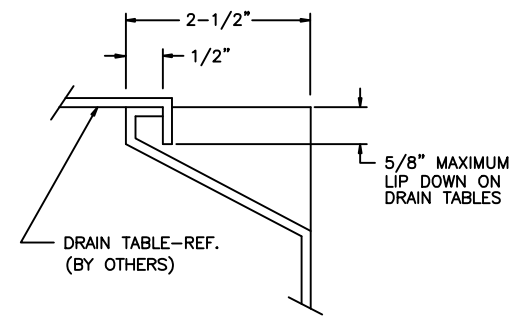
3-1/2" I.D.  
ROLLED SLIP  
FLANGE  
CONNECTION



**EXHAUST FAN DETAIL  
OPTIONAL**



**PLAN VIEW**



**SECTION "A-A"**

**SPECIFICATIONS**

POWER.....	208/240/480 VOLTS-3 PHASE-60 HERTZ
PUMP.....	10 H.P. 3450 R.P.M. @ 55 P.S.I.G.
WASH TANK CAPACITY.....	30 GALLONS
STEAM LINE PRESSURE.....	10 P.S.I. MINIMUM 40 P.S.I. MAXIMUM
STEAM CONSUMPTION.....	32 LBS. PER HOUR
FRESH WATER RINSE.....	RATE OF FLOW REQUIRED MINIMUM 6.6 G.P.M. @ 20 P.S.I.G. LINE PRESSURE @ 120° F
FRESH WATER RINSE CONSUMPTION.....	MINIMUM 3.3 GALLONS PER 30 SECOND RINSE CYCLE.
SHIPPING WEIGHT.....	1200 LBS.
INSTALLED WEIGHT.....	1600 LBS.

**ELECTRICAL REQUIREMENTS**

**NOTE:**

THE FOLLOWING FIGURES DO NOT INCLUDE A SAFETY FACTOR FOR DETERMINING DISCONNECT SIZE.  
THE EXHAUST FAN IS A FACTORY INSTALLED ACCESSORY.  
THE MODEL SL-2S EMPLOYS A 1/3 H.P. EXHAUST FAN.  
THE USE OF THE EXHAUST FAN DOES NOT INCREASE THE CURRENT ELECTRICAL RATING OF THE WASHER AS THE EXHAUST FAN IS ONLY ENERGIZED AFTER THE WASH AND RINSE CYCLES HAVE BEEN COMPLETED.

VOLT	KW	BASE MACHINE	
		PHASE	FULL LOAD AMPS
208	10.4	3	28.9
240	10.8	3	26.1
480	10.8	3	13.0

**CUSTOMER'S UTILITY CONNECTIONS**

SYM	DESCRIPTION
A	1-1/4" HOT WATER RINSE - FEMALE PIPE CONNECTION
B	1" DRAIN LINE - FEMALE PIPE CONNECTION
C	3/4" TANK STEAM INLET - FEMALE PIPE CONNECTION
D	3/4" TANK STEAM CONDENSATE - FEMALE PIPE CONNECTION
E	CUSTOMER'S ELECTRICAL CONNECTION

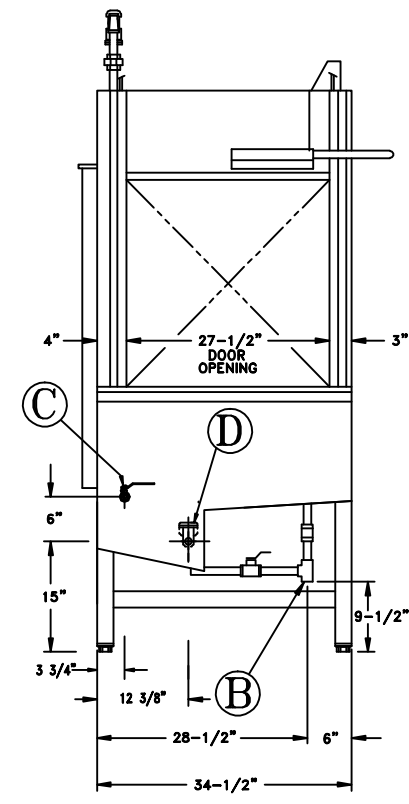
**CAUTION:** TO MAINTAIN PROPER HEATING REQUIREMENTS WHEN USING A FAN PROVIDED BY OTHERS, THE FAN CIRCUIT NEEDS TO BE DESIGNED TO NOT OPERATE DURING THE NORMAL MACHINE CYCLE. THE FAN SHOULD ONLY ACTIVATE WHEN THE DOOR(S) ARE OPENED.

**NOTE:** For extended life of the steam booster, a maximum of 15-PSI steam inlet pressure is required. We highly recommend that a steam pressure-reducing valve be placed in front of the booster's steam inlet connection. The reducing valve is to be provided and installed by others.

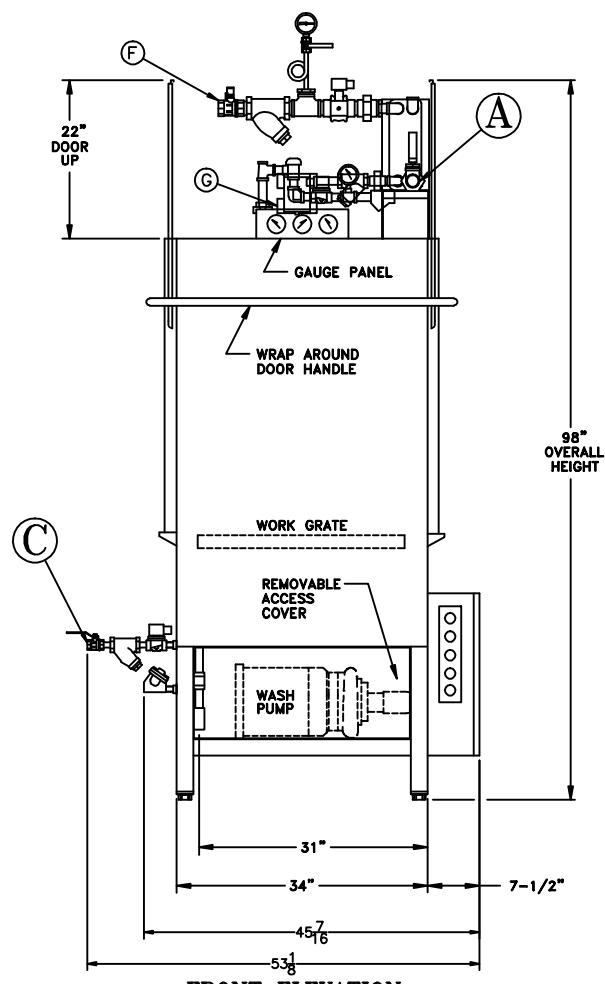
**STEAM COIL HEATED TANK  
WITH STEAM RINSE WATER BOOSTER ON ROOF**



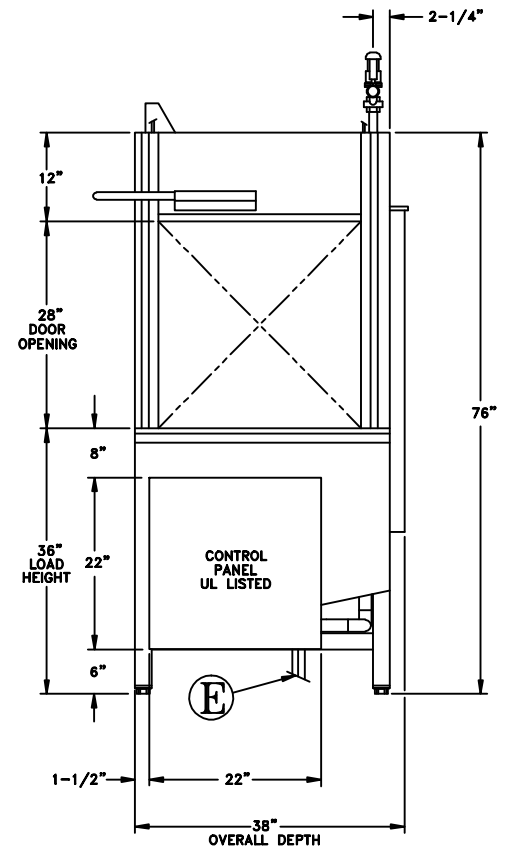
**NOTE:** MANUFACTURER RESERVES THE RIGHT OF MODIFICATIONS WITHOUT PRIOR NOTICE.



**LEFT SIDE ELEVATION**



**FRONT ELEVATION**



**RIGHT SIDE ELEVATION**

**CONCEPT DRAWING  
FOR SALES AND ESTIMATING  
PURPOSES ONLY**

SERIAL#	WORK ORDER:
<p>CONFIDENTIAL PROPRIETARY NOTICE</p> <p>THIS DRAWING, THESE SPECIFICATIONS, AND THE IDEAS CONTAINED HEREIN ARE THE EXCLUSIVE PROPERTY OF ARMOR METAL GROUP ("AMG") AND SHALL BE RETURNED UPON DEMAND. NO PERSON SHALL COPY, USE OR DISCLOSE THIS DRAWING, THESE SPECIFICATIONS, OR THE IDEAS CONTAINED HEREIN WITHOUT THE EXPRESS CONSENT OF AMG.</p> <p>THE ARMOR GROUP www.armormetal.com</p>	
<p><b>ALVEY WASHING EQUIPMENT</b> AN ARMOR GROUP COMPANY MASON, OHIO</p> <p>TITLE <u>Dimension sheet for Model SL-2S</u> FOR <u>Steam Coil Heated Tank with Booster</u></p> <p>DATE <u>9/9/2009</u> DWN. BY <u>GF</u> SCALE <u>None</u> DWG. NO. _____ 3RD ANGLE CHK. BY _____ <u>SL2S-SCHB</u></p>	